



RANGE	RESOLUTION MM	PERMISSABLE ERROR	ITEM NO.
0 - 150	0.01	0.02	111-281
0 - 200	0.01	0.03	111-282
0 - 300	0.01	0.04	111-283

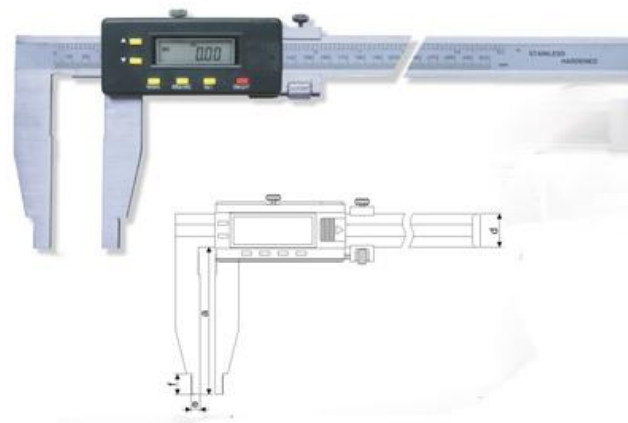
RANGE	RESOLUTION MM	PERMISSABLE ERROR	ITEM NO.
0 - 150	0.005	0.015	110-051
0 - 200	0.005	0.020	110-052

IP67 Waterproof Digimatic/Digital Calipers

- *IP67 Level: Protection against coolants, dust, dirt, chips and temporary water submersion.
- *NIST traceable certification.
- *Custom chips are designed by Mitutoyo to increase battery life and functionality.
- *Oil resistant materials are used in all plastic components to survive cutting fluids.
- *Every Ip67 caliper is leak tested at the factory to ensure compliance with IP standards.
- *SPC output for cables.
- *Resolution: 0.0005" (0.01 mm)
- *Accuracy: ±0.001"
- *Auto power On/Off
- *Set and forget technology.
- *Inch/ Metric.

**High Precision Digital Calipers
0,005mm resolution**

- Resolution:0.005mm
- The internal jaws measurement accuracy can accord with DIN862
- Zero-setting at any position
- Preset function
- Absolute and relative measurement conversion at any position.
- Data output



Item nos. 111-7xx

Available from 600mm up to 2,000mm length.
For details specify length required.

Long jaw digital caliper

- 1.With a fine adjustment.
- 2.Jaw ends radiused for accurate inside measurement and more durable than the knife edge jaws.
- 3.With presetting function.
- 4.Zero-setting at any position.
- 5.Data output.



Item nos. 111-4xx



Available from 600mm up to 2,000mm length.
For details specify length required.

Digital Calipers with Knife-edge Jaws(Type B)

- 1.Both upper & lower jaws are knife-edge.
- 2.Inside readings can be read directly from the indicated reading when measuring the inside diameter with upper jaws,do not need to add the nib width to the indicated reading.
- 3.With fine adjustment, but without depth bar.
- 4.With presetting function.
- 5.Zero-setting any position.
- 6.Data output.

RANGE	RESOLUTION MM	PERMISSABLE ERROR	ITEM NO.
0 - 150	0.01	0.02	130-301
0 - 200	0.01	0.03	130-302
0 - 300	0.01	0.04	130-303
0 - 500	0.01	0.05	130-304
0 - 600	0.01	0.06	130-305



Digital Height Gauge with Double Datum Surfaces

Both the upside and the underside of the base are datum surfaces. The slider has two jaws on its left side and right side. The jaw on the slider's left is for the bottom measuring face. The jaw on the slider's right is for the upside measuring face. (When the base is on the inspection surface plate, the surface of the plate is regarded as the extension of bottom measuring face.)

In case the inspection surface plate is unavailable, the upside of the base can be used as an inspection surface plate.

Measurement can still be done with the slider's right jaw.

The range of application can be widened with some attachments.

N.B. 300mm and 600mm models supplied with dial indicator mounting feature.

RANGE	RESOLUTION MM	PERMISSABLE ERROR	ITEM NO.
3 - 150	0.01	0.03	113-401
3 - 200	0.01	0.03	113-402
4 - 300	0.01	0.04	113-403

Groove Width Digital Calipers

- Measure the width of inside groove and position of a groove.
- Zero-setting at any position.
- Date output



RANGE	RESOLUTION MM	PERMISSABLE ERROR	ITEM NO.
0-25	0.001	0.003	211-101
25-50	0.001	0.003	211-102
50-75	0.001	0.004	211-103
75-100	0.001	0.004	211-104
100-125	0.001	0.004	211-105
125-150	0.001	0.005	211-106
150-175	0.001	0.005	211-107
175-200	0.001	0.005	211-108
200-225	0.001	0.005	211-109
225-250	0.001	0.005	211-110
250-275	0.001	0.006	211-111
275-300	0.001	0.006	211-112

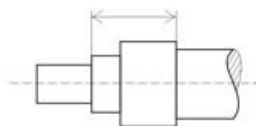
Digital Outside Micrometers

- Extra large LCD for easy reading.
- Carbide-tipped measuring faces.
- Manual power on/off.
- Zero-setting at any position.

RANGE	RESOLUTION MM	PERMISSABLE ERROR	ITEM NO.
6-8	0.001	0.004	213-301
8-10	0.001	0.004	213-302
10-12	0.001	0.004	213-303
12-16	0.001	0.004	213-304
16-20	0.001	0.004	213-305
20-25	0.001	0.004	213-306
25-30	0.001	0.004	213-307
30-40	0.001	0.004	213-308
40-50	0.001	0.005	213-309
50-63	0.001	0.005	213-310
62-75	0.001	0.005	213-311
75-88	0.001	0.005	213-312
87-100	0.001	0.005	213-313

Three Point Internal Digital Micrometers

Carbide-tipped contact points and three lateral protruding fingers for highly wear-resistance. Measurement can be taken close to the bottom of a blind bore. With Ratchet Stop for constant force.



RANGE	RESOLUTION MM	PERMISSABLE ERROR	ITEM NO.
0-25	0.001	0.002	131-01-534
25-50	0.001	0.002	131-02-534
50-75	0.001	0.003	131-03-534
75-100	0.001	0.003	131-04-534
100-125	0.001	0.003	131-05-534

Digital Outside Micrometers (IP54)

- Extra large LCD for easy reading.
- Carbide-tipped measuring faces.
- Manual power on/off.
- Zero-setting at any position.

Resolution: 0.001mm(metric); 0.00005"(inch)

RANGE	RESOLUTION MM	PERMISSABLE ERROR	ITEM NO.
0-150	0.01	0.04	115-301
0-200	0.01	0.05	115-302
0-300	0.01	0.06	115-303
0-500	0.01	0.08	115-305

Rotatable Jaw Digital Calipers

Rotate the jaw to easily measure the step shaft and other ends not in a line.



RANGE	RESOLUTION MM	PERMISSABLE ERROR	ITEM NO.
0-100	0.01	0.02	812-100
0-150	0.01	0.03	812-101
0-200	0.01	0.03	812-102
0-300	0.01	0.04	812-103
0-400	0.01	0.05	812-104
0-500	0.01	0.05	812-105
0-600	0.01	0.08	812-106
0-800	0.01	0.10	812-108
0-1,000	0.01	0.10	812-110
0-1,200	0.01	0.12	812-112
0-1,500	0.01	0.14	812-115
0-2,000	0.01	0.20	812-120

Digital Scale Units (Horizontal Type)

Designed to be installed on the machines and fixtures to measure the axial movement.
 Can be connected with large LCD display unit for easy reading.
 ·Zero-setting at any position.
 ·Data output.



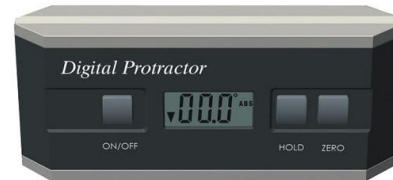
RANGE	RESOLUTION MM	PERMISSABLE ERROR	ITEM NO.
0-100	0.01	0.02	812-200
0-150	0.01	0.03	812-201
0-200	0.01	0.03	812-202
0-300	0.01	0.04	812-203
0-400	0.01	0.05	812-204
0-500	0.01	0.05	812-205
0-600	0.01	0.08	812-206
0-800	0.01	0.10	812-208
0-1,000	0.01	0.10	812-210
0-1,200	0.01	0.12	812-212
0-1,500	0.01	0.14	812-215
0-2,000	0.01	0.20	812-220

Digital Scale Units (Vertical Type)

Designed to be installed on the machines and fixtures to measure the axial movement.
 Can be connected with large LCD display unit for easy reading.
 ·Zero-setting at any position.
 ·Data output.



451-101



451-101A

Inclinometers digital angle measurement protractor

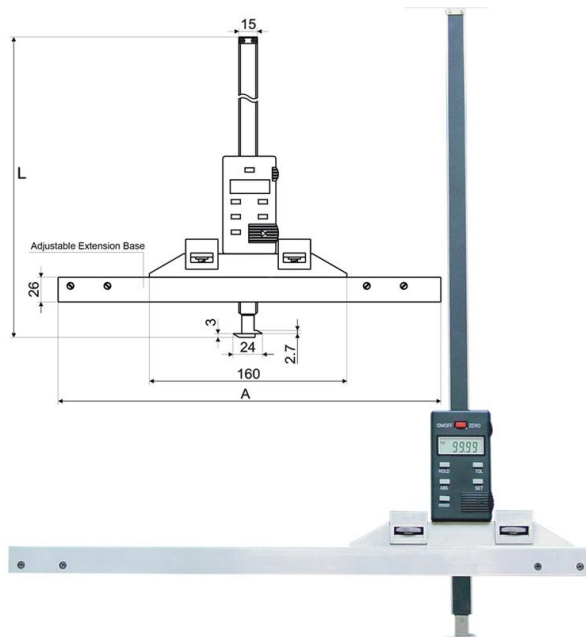
FEATURES

- 4*90° measurement.
- Widely used in angle measurement in auto industry, building industry, drilling machinery, etc.
- Display always reads upright, no matter which way the level is turned.
- Simple calibration requires no special fixtures.
- Versatile measuring tool, angle finder, protractor and level three in one.
- One 3V CR2032 lithium battery.

N.B. This is available in 8 type variations.



Angle Finders digital angle measurement



RANGE	RESOLUTION Degrees°	PERMISSABLE ERROR	ITEM NO.
0 - 360°	0.05°	± 0.2°	431-112
FEATURES			
<ul style="list-style-type: none"> ·Easy to measure all kinds of angles and draw lines. ·Absolute and relative measurement conversion. ·Display always reads upright, no matter which way is turned. ·Easy calibration and zero setting. ·Analogue quadrant showing for easy reading. ·High accurate level bubble for measuring horizontal and vertical levels easily. ·Type431-112 can lock the movable blade at any angle. 			

RANGE	RESOLUTION MM	PERMISSABLE ERROR	ITEM NO.
0-300mm	0.01mm	±0.04mm	122-201
0-400mm	0.01mm	±0.05mm	122-202
0-500mm	0.01mm	±0.05mm	122-203
0-600mm	0.01mm	±0.05mm	122-204
FEATURES			
<ul style="list-style-type: none"> * Can measure groove width and position of a groove * Wider base extension * Power on/off * In/mm conversion * Zero at any position * Data output. 			

N.B. Most digital measuring equipment has easy change from mm to inches and vice versa. If inches are a necessity ask to make sure that the instrument has both options.

With digital instruments that show both mm and inches then for example 1,000mm will also show up to 40 ins. i.e. divide mm with 25.

These are just a few of the measuring instruments and types we can procure at very reasonable prices. If you don't see what you want send us a picture or description and we'll reply with a price and delivery time. Being as precise as possible will save time.